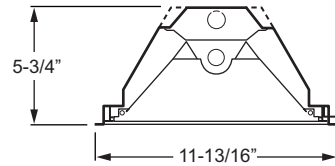
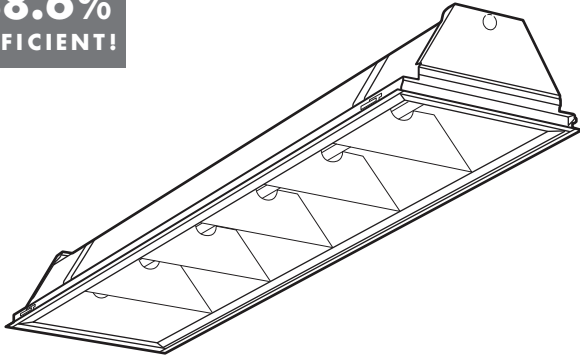


# 1' x 4' EFFICIENT TROFFER

SERIES **EFT**  
 JOB \_\_\_\_\_  
 TYPE \_\_\_\_\_  
 VOLTAGE \_\_\_\_\_

**88.6%**  
EFFICIENT!



## SPECIFICATIONS

- HOUSING – 22 gauge die-formed C.R.S.
- DOOR FRAME & LOUVER – Door: .050" thick extruded aluminum, flat with mitered corners. Louver: 25 gauge C.R.S.
- FINISH – Door and Housing: 92% minimum average reflective white powder coat with multi-stage iron/phosphate prepared metal. Louver: Highly reflective matte white powder coat.
- ELECTRICAL – Electronic ballast standard, instant start T8, rated Class P.
- LABELS – UL/CUL listed as recessed fluorescent luminaire suitable for dry or damp locations.
- MOUNTING – NEMA Type "G" standard. NEMA Type "F" available.

## FEATURES

- The 88.6% efficient EFT provides high quality, economical, efficient lighting.
- Full 3" cross baffles provide lamp cutoff and assist in glare reduction.
- Fully enclosed, spring-loaded cam latches allow years of hassle-free maintenance.
- T-slot steel hinge ensures positive retention when door is opened.
- Deep reinforcement ribs provide added strength.
- Field convertible to NEMA Type "F."
- All parts painted after fabrication to facilitate installation, increase efficiency, and inhibit corrosion.
- This fixture is proudly made in the USA.

## ORDERING INFORMATION

Submittal

EXAMPLE: **EFT** **G** - **1** **4** - **1** **32** - **OPTIONS** - **EB1** - **UNV**

SERIES	
<b>EFT</b>	Efficient Troffer (No air handling)
CEILING TYPE	
<b>G</b>	NEMA Type "G"
<b>F</b>	NEMA Type "F" (field convertible)
NOMINAL WIDTH	
<b>1</b>	1'
NOMINAL LENGTH	
<b>4</b>	4'

TOTAL LAMPS	
<b>1</b>	
LAMP WATTAGE/TYPE	
<b>32</b>	4', 32-watt T8
OPTIONS	
<b>EM</b>	Emergency ballast (must specify)
Refer to Williams Information section, page 10.	

BALLAST TYPE	
<b>EB1</b>	1-lamp electronic ballast
VOLTAGE	
<b>120</b>	120V
<b>277</b>	277V
<b>UNV</b>	120 - 277V
<b>347</b>	347V

**Note:** For more options/accessories, ballast combinations, and product details, please consult factory.



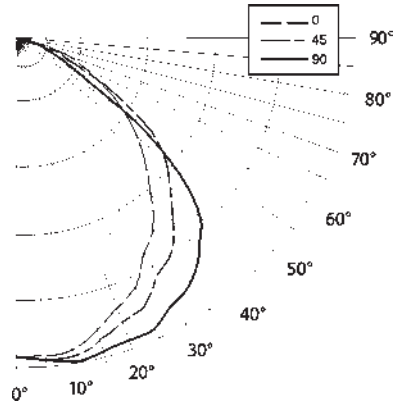
FLUORESCENT LIGHTING

Williams Catalog #EFTG-14-132-EB1  
 Test Report #14347.0, Dated 11/13/08

Lamp Type: F32T8/835/RS  
 Lamp Quantity: 1

**CANDLEPOWER DISTRIBUTION**

VERT. ANG.	HORIZONTAL ANGLE			ZONAL LUMENS
	0	45	90	
0	1033.	1033.	1033.	
5	1036.	1044.	1048.	99.5
15	982.	1014.	1050.	287.7
25	890.	958.	1038.	445.2
35	755.	855.	971.	539.2
45	579.	694.	824.	541.6
55	413.	507.	417.	407.5
65	239.	196.	134.	195.4
75	99.	74.	52.	78.9
85	24.	18.	11.	20.0
90	0.	0.	0.	



**LUMEN SUMMARY**

ZONE	LUMENS	% LAMP	% FIXTURE
0 - 30	832.	28.2	31.8
0 - 40	1372.	46.5	52.4
0 - 60	2321.	78.7	88.7
0 - 90	2615.	88.6	100.0
0-180	2615.	88.6	100.0

**TOTAL LUMINAIRE OPTICAL EFFICIENCY = 88.6%**  
 SPACING CRITERIA: END= 1.2 DIAG.= 1.3 ACROSS= 1.4

**QUANTITY ESTIMATOR**

NUMBER OF FIXTURES REQUIRED - ITEM #: **EFTG-14-132-EB1**

ROOM SIZE	±.30 fc.	±.50 fc.	±.70 fc.
10'x100' (1,000 sq. ft.)	14	24	-
30'x30' (900 sq. ft.)	13	21	30
50'x50' (2,500 sq. ft.)	33	54	75

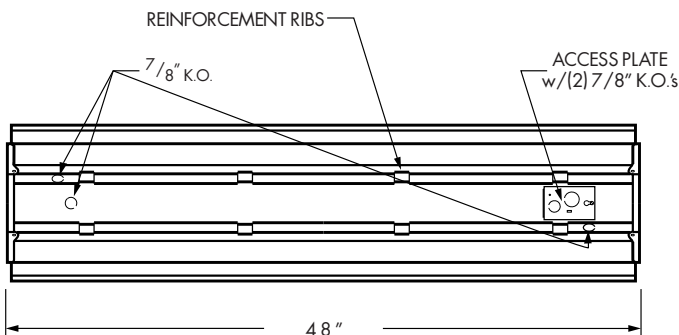
Calculations based on standard reflectance of 80/50/20 and a light loss factor of .85 with a 9'-0" ceiling height.

**ZONAL CAVITY COEFFICIENTS**

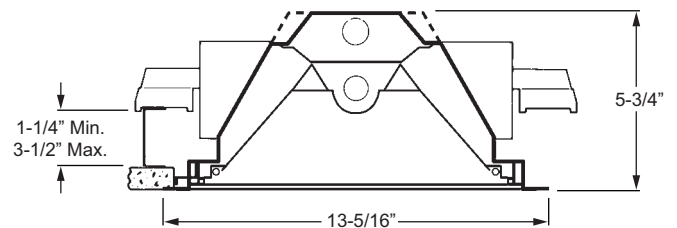
EFFECTIVE FLOOR CAVITY REFL. = .20

CEILING WALL RCR	.80			.70			.50		
	.70	.50	.30	.70	.50	.30	.50	.30	.10
0	106	106	106	103	103	103	98	98	98
1	98	95	92	96	93	90	89	87	85
2	91	85	80	89	84	79	81	77	73
3	84	76	70	82	75	69	73	68	64
4	78	69	62	76	67	61	65	60	55
5	72	61	54	70	60	54	59	53	48
6	66	55	48	64	54	47	53	47	42
7	61	50	42	59	49	42	48	41	37
8	56	44	37	55	44	37	43	36	32
9	51	40	33	50	39	32	38	32	28
10	48	36	29	47	36	29	35	29	24

**BACK VIEW**



**CROSS SECTION NEMA TYPE "F" INSTALLATION**



**MAXIMUM RECOMMENDED CEILING OPENING IS 12-3/8" x 48-3/8"**  
 For continuous row mounting, add 49-5/16" for each additional fixture to obtain ceiling opening 1-5/16" between end plates.



H. E. WILLIAMS, INC.