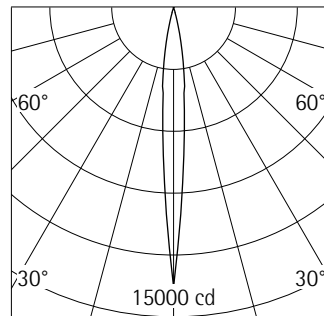


85035.023 Graphit m
 PAR30 75W 120V Med. 9°
 PAR30 75W 120V Med. 35°

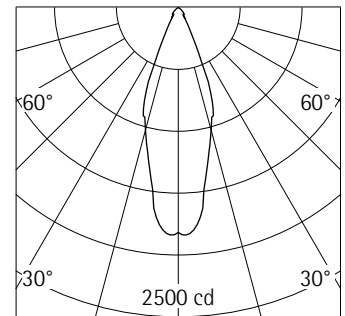
Product description

Cylinder and mounting plate: corrosion-resistant, cast aluminum, No-rinse surface treatment. Double powder-coated.
 1 cable entry. Through-wiring possible. 2-pole terminal block.
 Low brightness reflector: aluminum, silver, specular anodized.
 Cut-off angle 30° from horizontal.
 Fixing ring with safety glass: corrosion-resistant cast aluminum, double powder-coated. To be removed together with low brightness reflector for lamp replacement. Tamper-proof screw.
 Suitable for wet location (IP65): dust-proof and water jet-proof.
 Weight 8.16lbs / 3.70kg



PAR30 75W 120V Med. 9°

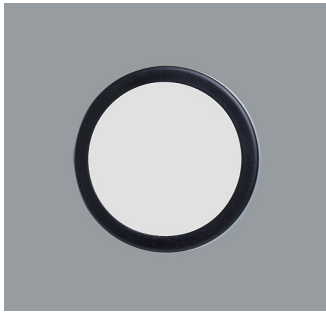
h(ft)	E(fc)	D
		9°
3	1505	0'6"
6	376	0'11"
9	167	1'5"
12	94	1'11"
15	60	2'4"



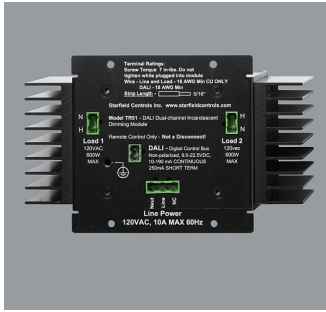
PAR30 75W 120V Med. 35°

h(ft)	E(fc)	D
		36°
3	202	1'11"
6	51	3'11"
9	22	5'10"
12	13	7'10"
15	8	9'9"

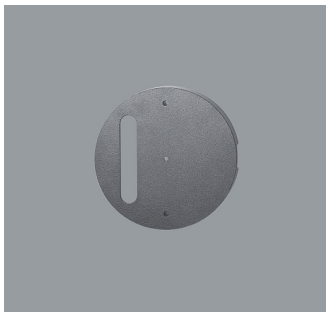
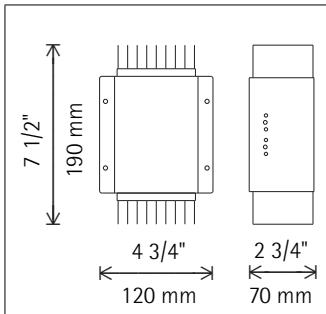
Accessories



83997.000
Softec lens



83829.023
DALI dimmer, double, 10A
2 load outputs 600W for dimming
for ohmic loads and electronic
transformers.
DALI interface with two independ-
ent addresses.
Mains connection 120V, 10A.
Housing: metal, black.
LED function indicator. Primary
fuse.
Weight 2.29lbs / 1.04kg



34994.000
Spacer
for surface-mounted cables.
Corrosion-resistant cast aluminum,
No-Rinse surface treatment.
Graphit m, double powder-coated.
Weight 0.62lbs / 0.28kg

